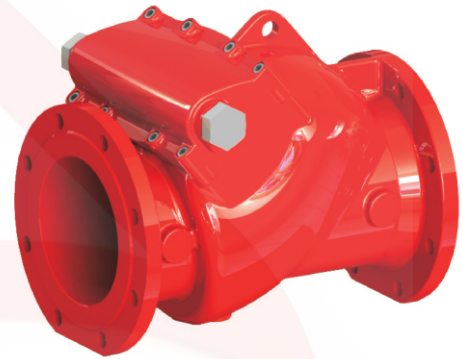


Imported From **WEFLO** Company  
**Swing Check Valve, Flanged Ends**

**Specifications**

- Meet or exceed the requirements of AWWA C508 Standard.
- Full Waterway.
- Disc is fully encapsulated with EPDM rubber.
- Superior design featuring exceptionally low pressure losses at high flow rates.
- Disassembly of the valve can be performed without removing the valve from the pipe system by unscrewing the bonnet bolts.
- Face to face dimensions according to ASME B16.10.
- Flanged to ASME B16.1 Class 125, EN 1092-2 PN16. Other flange types are available on request.
- Rated Working Pressure: 350 psi.
- UL / ULC Listed and FM Approved.

**Schematic**

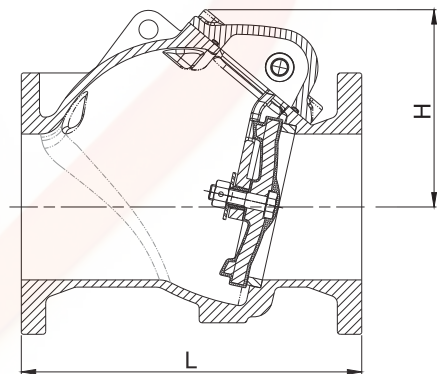


**Corrosion Protection**

- Fusion Bonded Epoxy Coated Interior and Exterior to AWWA C550 Standard.

**Material Specifications**

Part	Material	ASTM Specification
Body	Ductile Iron	A536 Grade 65-45-12
Body Seat Ring	Bronze	B62 C83600
Disc	DI with EPDM Fully Encapsulated	
Hinge	2"-6"	Stainless Steel A351 Grade CF8
	8"-12"	Ductile Iron A536 Grade 65-45-12
Gasket	Rubber	D2000 EPDM
Bonnet	Ductile Iron	A536 Grade 65-45-12
Hinge Pin	Stainless Steel	A276 Type 304
Hinge Pin Plug	Stainless Steel	A276 Type 304



**Main Dimensions (mm/inch)**

Size	2	2.5	3	4	5	6	8	10	12
L	203/8.0	216/8.5	241/9.5	292/11.5	330/13.0	356/14.0	495/19.5	622/24.5	699/27.5
H	104/4.1	112/4.4	124/4.9	157/6.2	195/7.7	207/8.1	264/10.4	304/12.0	355/14.0

