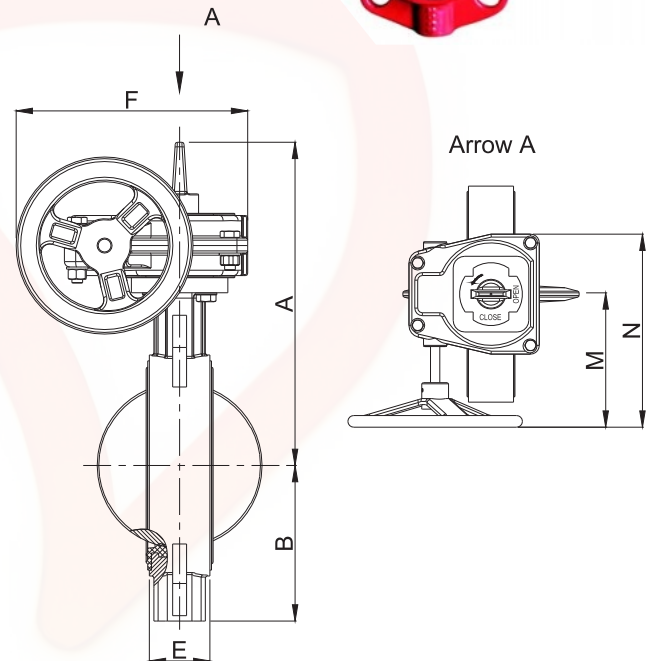


Imported From **WEFLO** Company
Wafer Butterfly Valve

Specifications

- Meet or exceed the requirements of EN 593 and MSS SP-67 Standard.
- Single Piece Through Shaft.
- Splined Drive.
- Outdoor and Indoor Rated.
- Vulcanized Seat Design for Bubble-Tight Shutoff.
- Flag Type Position Indicator.
- Built-in Supervisory Switch.
- Face to Face Dimension complies with ASME B16.10 Narrow and EN558 Series 20.
- Connected Flange complies with ASME B16.5 Class 150 and EN1092 PN10/16. (Other Flange Types available upon request)
- UL/ULC 1091 Listed, FM 1112 Approved, VdS 2100-08en and 3C Certified.
- Rated Working Pressure:
 300 psi for UL/ULC Listed
 300 psi for FM Approved
 16 bar for VdS and 3C Certified

Schematic



Corrosion Protection

- Fusion Bonded Epoxy Coated Interior and Exterior to AWWA C550 Standard.

Material Specifications

Part	Material	ASTM Specification
Body	Ductile Iron	A536 Grade 65-45-12
Seat	Rubber EPDM	D2000
Disc	Ductile Iron	A536 Grade 65-45-12
Shaft	Stainless Steel	A276 Type 431
Bushing	Brass	B124 C37700
Housing	Gray Cast Iron	A126 Class B
Fasteners	Carbon Steel	A307 Grade B

Main Dimensions (mm/inch)

Size	A	B	E	F	M	N
2	230/9.00	74/2.91	43/1.69	190/7.48	150/5.90	228/8.98
2.5	240/9.45	85/3.35	46/1.81	190/7.48	150/5.90	228/8.98
3	250/9.85	95/3.75	46/1.81	190/7.48	150/5.90	228/8.98
4	265/10.45	115/4.55	52/2.06	190/7.48	150/5.90	228/8.98
5	280/11.00	130/5.10	56/2.19	215/8.46	150/5.90	228/8.98
6	295/11.60	145/5.70	56/2.19	215/8.46	150/5.90	228/8.98
8	360/14.15	170/6.70	60/2.38	280/11.02	200/7.85	303/11.93
10	410/16.15	210/8.30	68/2.70	280/11.02	200/7.85	303/11.93
12	435/17.10	240/9.50	78/3.06	280/11.02	200/7.85	303/11.93

